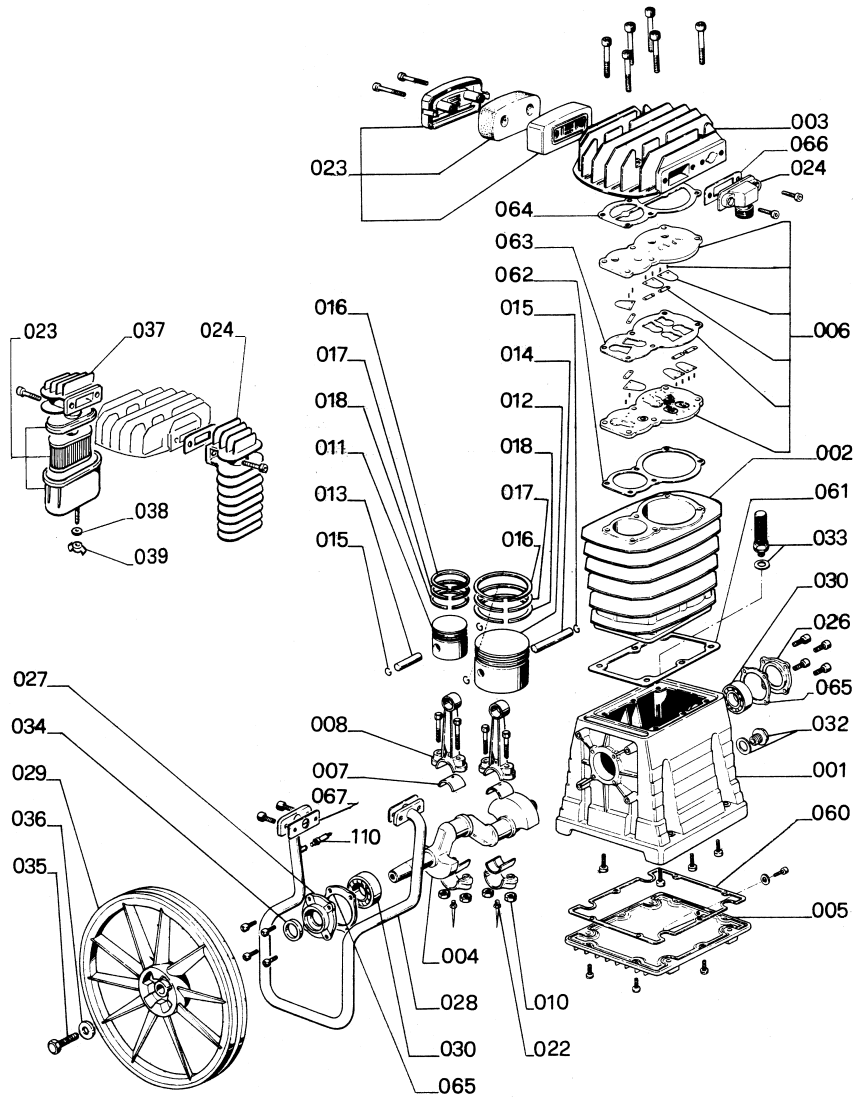
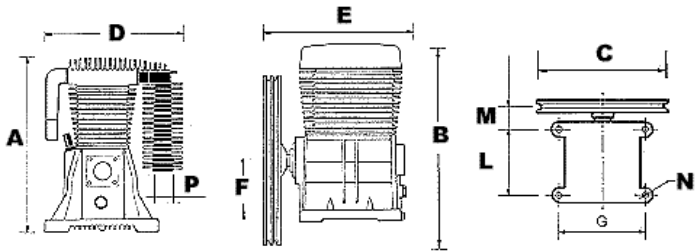


Code: 4900000

B 4900



Dimensions:



In mm

A	B	C	D	E	F	G	L	M	N	P
363	424	370	210	307	124	174	146	105	11	1/2" F

Box Weight: 15 Kg Box Dimensions: W x D x L: 301 x 376 x 432

Tightening Torques, Cylinder Head:

Bolt Size:	M8
Min Torque:	22.45 Nm
Max Torque:	27.43 Nm

Technical Data:

Cylinders:	2	
Stages:	2	
Air Flow:	514 L/m in	18,1 cfm
Power:	3 Kw	4 HP
Speed:	1450 rpm	
Max Pressure:	12 Bar	174 psi

Code:
B 4900

4900000

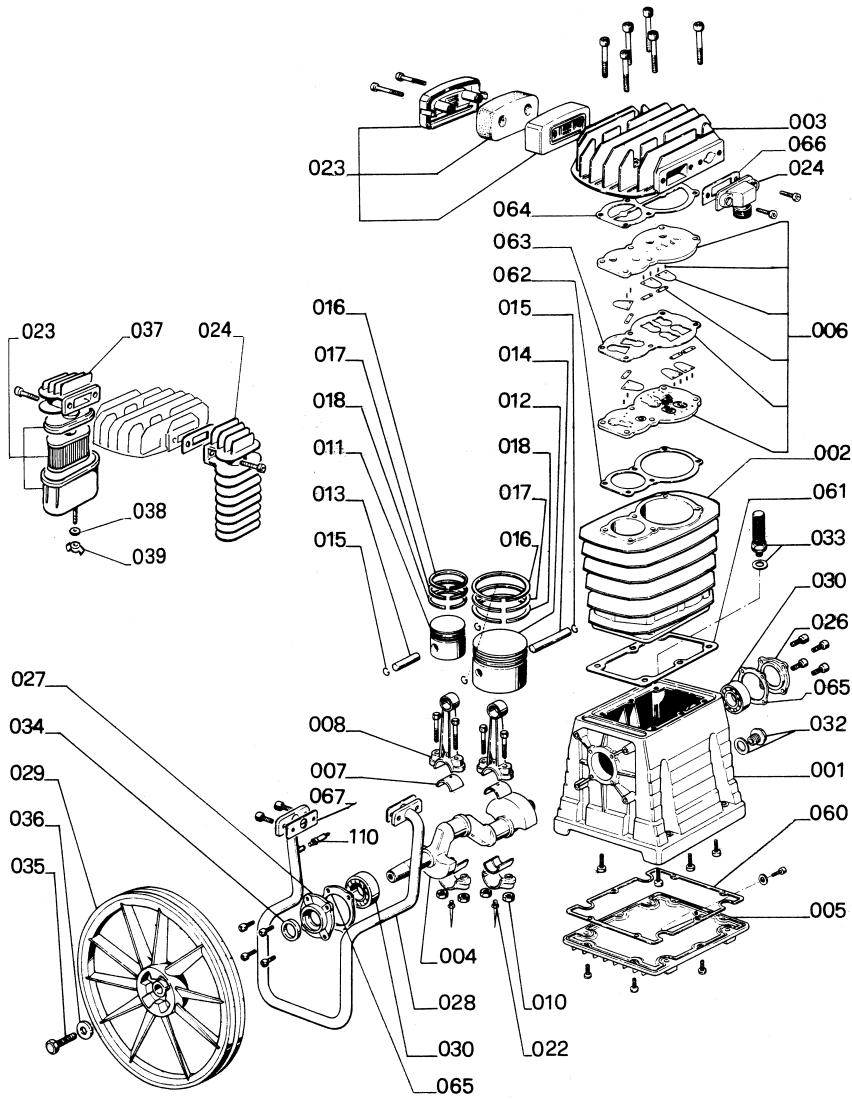


<i>Svc</i>	<i>Ref</i>	<i>Code</i>	<i>Description</i>	<i>Qty</i>	<i>Modified</i>
<input checked="" type="checkbox"/>	000	4950055	Gasket Kit	1	
<input type="checkbox"/>	001	4960100	Crankase	1	
<input type="checkbox"/>	002	4930000	Cylinder	1	
<input type="checkbox"/>	003	4961400	Pump head	1	
<input type="checkbox"/>	004	4961200	Crankshaft	1	
<input type="checkbox"/>	005	4961300	Sump base	1	
<input checked="" type="checkbox"/>	006	4940050	Valve plate assy.	1	
<input type="checkbox"/>	007	9013011	Halfbearing	4	
<input type="checkbox"/>	008	4011100	Connecting rod	2	01.10.1996
<input type="checkbox"/>	008	4011101	Connecting rod	2	
<input type="checkbox"/>	010	9128234	Self locking nut	4	
<input type="checkbox"/>	011	4621100	Piston D. Pin D.	1	
<input type="checkbox"/>	012	4922100	Piston D. Pin D.	1	
<input type="checkbox"/>	013	4621200	Pin	1	
<input type="checkbox"/>	014	4922200	Pin	1	
<input type="checkbox"/>	015	9140050	Circlip	4	
<input type="checkbox"/>	016	9020023	Piston ring AC	1	
<input type="checkbox"/>	016	9020055	Piston ring AC	1	
<input type="checkbox"/>	017	9020056	Piston ring ROS	1	
<input type="checkbox"/>	017	9020053	Piston ring ROS	1	
<input type="checkbox"/>	018	9020086	Piston ring ROF	1	
<input type="checkbox"/>	018	9020057	Piston ring ROF	1	
<input type="checkbox"/>	022	9014003	Oil dipper	2	01.10.1996
<input type="checkbox"/>	023	2281000	Filter	1	27.06.1999
<input checked="" type="checkbox"/>	023	4981000	Filter	1	
<input type="checkbox"/>	024	2270100	Aftercooler	1	18.06.1991
<input type="checkbox"/>	024	3970100	Aftercooler	1	
<input type="checkbox"/>	026	2060690	Cover N.D.E.	1	
<input type="checkbox"/>	027	2060590	Cover D.E.	1	
<input type="checkbox"/>	028	4662010	Intercooler	1	
<input type="checkbox"/>	028	4662000	Intercooler	1	31.12.1993
<input type="checkbox"/>	029	4000100	Fly wheel	1	
<input type="checkbox"/>	030	9170010	Bearing	2	31.05.1997
<input type="checkbox"/>	030	9170030	Bearing	2	
<input type="checkbox"/>	032	9022001	Oil sight glass	1	
<input type="checkbox"/>	033	9024010	Oil fill plug	1	
<input type="checkbox"/>	034	9163010	Oil seal	1	
<input type="checkbox"/>	035	9110012	Screw	1	22.10.1996
<input type="checkbox"/>	035	9110014	Screw	1	
<input type="checkbox"/>	036	9004008	Fly wheel washer	1	
<input type="checkbox"/>	110	9049020	Safety valve	1	

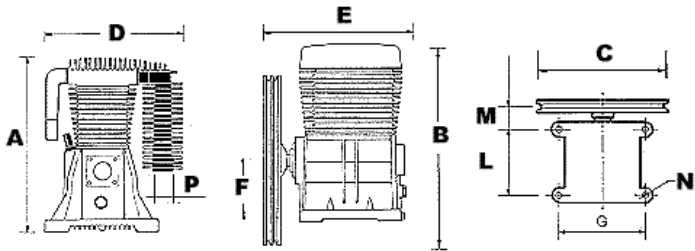
Svc = Service Item

Code: 490000A

B 4900A



Dimensions:



In mm

A	B	C	D	E	F	G	L	M	N	P
363	424	370	250	307	124	174	146	105	11	1" F

Box Weight: 15.5 Kg Box Dimensions: W x D x L: 301 x 376 x 432

Tightening Torques, Cylinder Head:

Bolt Size:	M8
Min Torque:	22.45 Nm
Max Torque:	27.43 Nm

Technical Data:

Cylinders:	2	
Stages:	2	
Air Flow:	514 L/m in	18,1 cfm
Power:	3 Kw	4 HP
Speed:	1450 rpm	
Max Pressure:	12 Bar	174 psi

Code:
B 4900A

490000A



<i>Svc</i>	<i>Ref</i>	<i>Code</i>	<i>Description</i>	<i>Qty</i>	<i>Modified</i>
<input checked="" type="checkbox"/>	000	4950055	Gasket Kit	1	
<input type="checkbox"/>	001	4960100	Crankase	1	
<input type="checkbox"/>	002	4930000	Cylinder	1	
<input type="checkbox"/>	003	4961400	Pump head	1	
<input type="checkbox"/>	004	4961200	Crankshaft	1	
<input type="checkbox"/>	005	4961300	Sump base	1	
<input checked="" type="checkbox"/>	006	4940050	Valve plate assy.	1	
<input type="checkbox"/>	007	9013011	Halfbearing	4	
<input type="checkbox"/>	008	4011100	Connecting rod	2	01.10.1996
<input type="checkbox"/>	008	4011101	Connecting rod	2	
<input type="checkbox"/>	010	9128234	Self locking nut	4	
<input type="checkbox"/>	011	4621100	Piston D. Pin D.	1	
<input type="checkbox"/>	012	4922100	Piston D. Pin D.	1	
<input type="checkbox"/>	013	4621200	Pin	1	
<input type="checkbox"/>	014	4922200	Pin	1	
<input type="checkbox"/>	015	9140050	Circlip	4	
<input type="checkbox"/>	016	9020023	Piston ring AC	1	
<input type="checkbox"/>	016	9020055	Piston ring AC	1	
<input type="checkbox"/>	017	9020056	Piston ring ROS	1	
<input type="checkbox"/>	017	9020053	Piston ring ROS	1	
<input type="checkbox"/>	018	9020057	Piston ring ROF	1	
<input type="checkbox"/>	018	9020086	Piston ring ROF	1	
<input type="checkbox"/>	022	9014003	Oil dipper	2	01.10.1996
<input checked="" type="checkbox"/>	023	2081000	Filter	1	
<input type="checkbox"/>	024	2070100	Aftercooler	1	
<input type="checkbox"/>	026	2060690	Cover N.D.E.	1	
<input type="checkbox"/>	027	2060590	Cover D.E.	1	
<input type="checkbox"/>	028	4662010	Intercooler	1	
<input type="checkbox"/>	028	4662000	Intercooler	1	31.12.1993
<input type="checkbox"/>	029	4000100	Fly wheel	1	
<input type="checkbox"/>	030	9170010	Bearing	2	31.05.1997
<input type="checkbox"/>	030	9170030	Bearing	2	
<input type="checkbox"/>	032	9022001	Oil sight glass	1	
<input type="checkbox"/>	033	9024010	Oil fill plug	1	
<input type="checkbox"/>	034	9163010	Oil seal	1	
<input type="checkbox"/>	035	9110014	Screw	1	
<input type="checkbox"/>	035	9110012	Screw	1	22.10.1996
<input type="checkbox"/>	036	9004008	Fly wheel washer	1	
<input type="checkbox"/>	037	2080100	Filter support	1	
<input type="checkbox"/>	038	9011010	Filter rod	1	
<input type="checkbox"/>	039	9126021	Wing nut	1	
<input type="checkbox"/>	110	9049020	Safety valve	1	

Svc = Service Item